

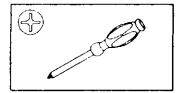
VERONICA
OTTOMAN BED

Note:
 • Read Instructions carefully
 • Carefully identify each component especially those that are similar
 • Separate and identify each component from the hardware pack and rest each one in its proper location before fastening
 • Do not over tighten the screws or bolts when assembling

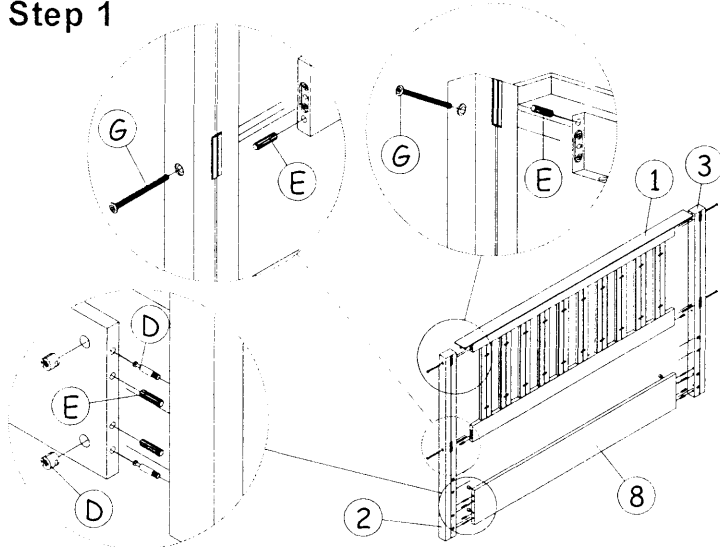


2 Persons

TOOL REQUIRED

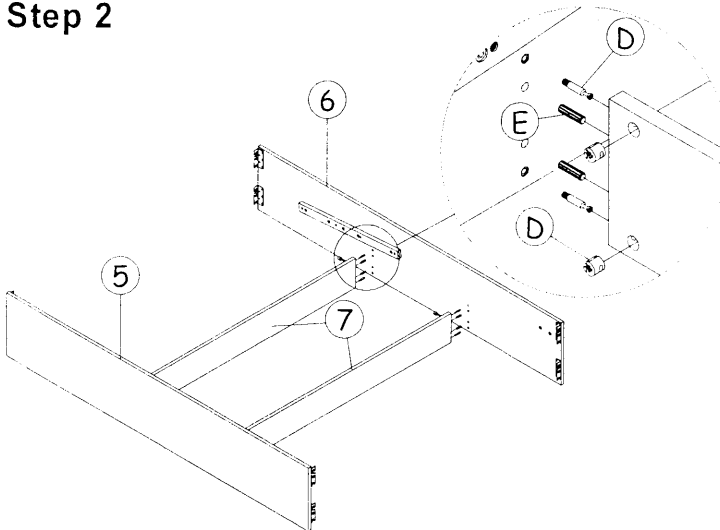


Step 1



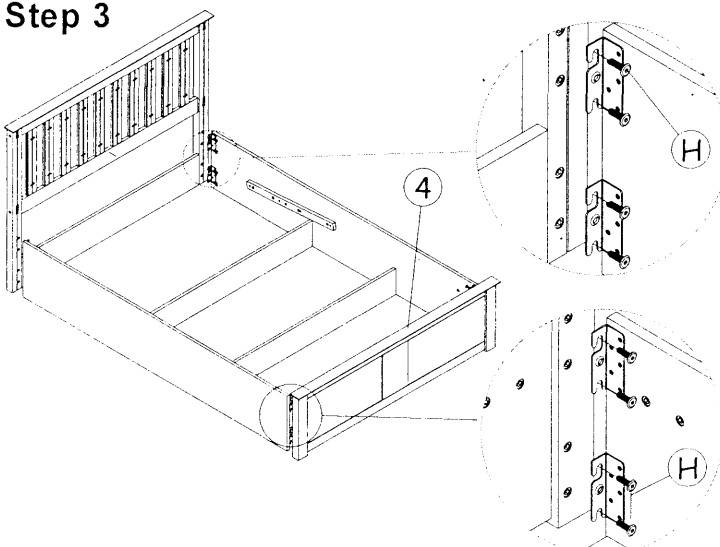
Fix all headboard component as shown

Step 2



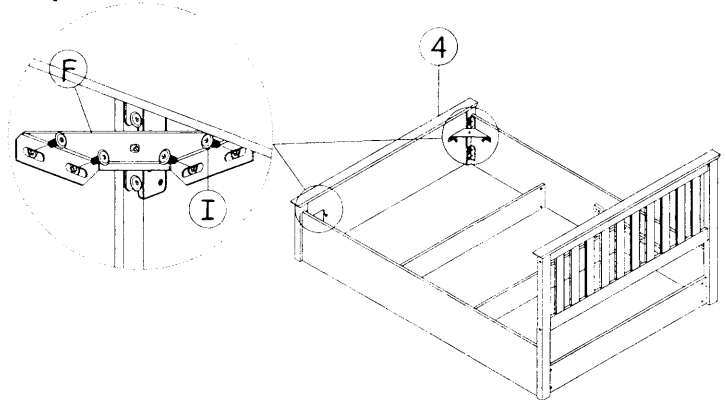
Assemble the left & right side rails to the center storage panel with minifix screws as shown.

Step 3



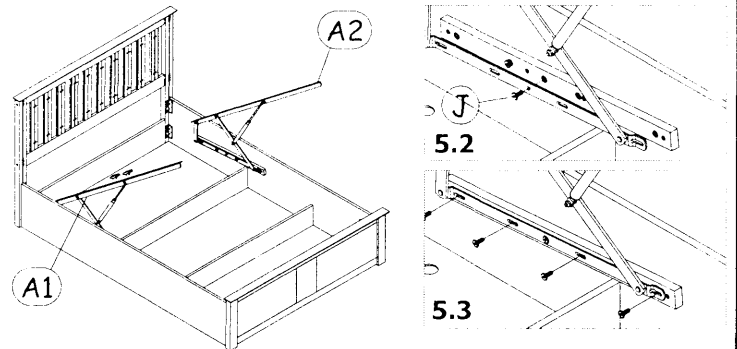
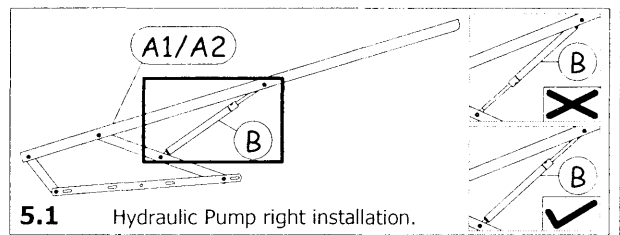
Fix side rails to the headboard and footboard '4' with bolts 'H' as shown

Step 4



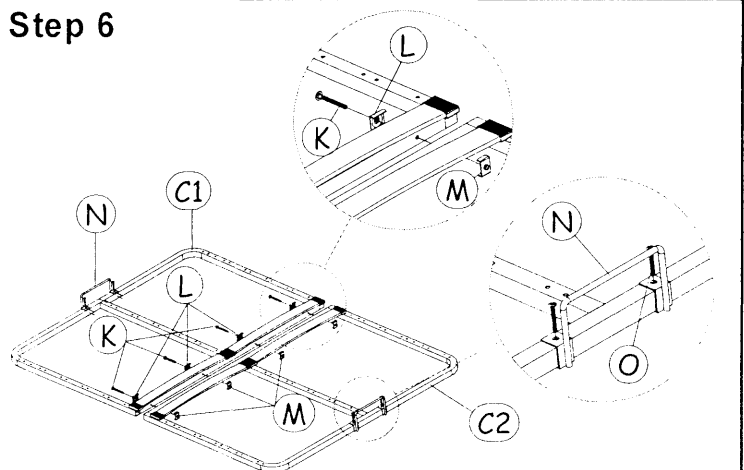
Fix metal corner block 'F' to the edge of footboard and side rails with bolts 'I' as shown.

Step 5



Firstly, fix the hydraulic pump to each hydraulic base as shown in diagram 5.1. Next, fix the left & right hydraulic support to the both side rails. Then, fix bolts 'J' first as shown in diagram 5.2 and do not tighten yet. Finally, fix all bolts and tighten as shown in diagram 5.3.

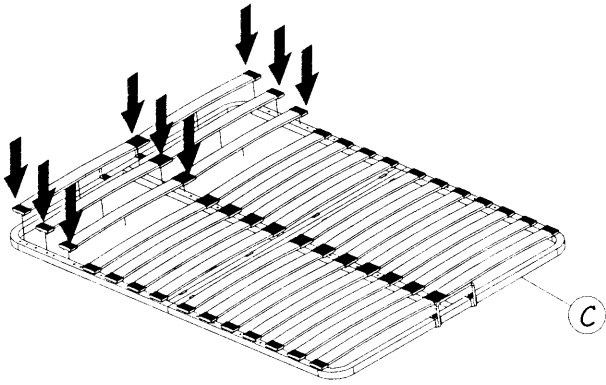
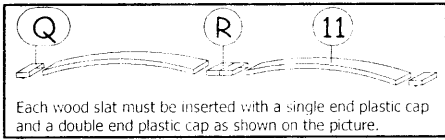
Step 6



Assemble front & back frames bed base with bolts 'K' and fix base handles to the bed base with bolts 'O' as shown.

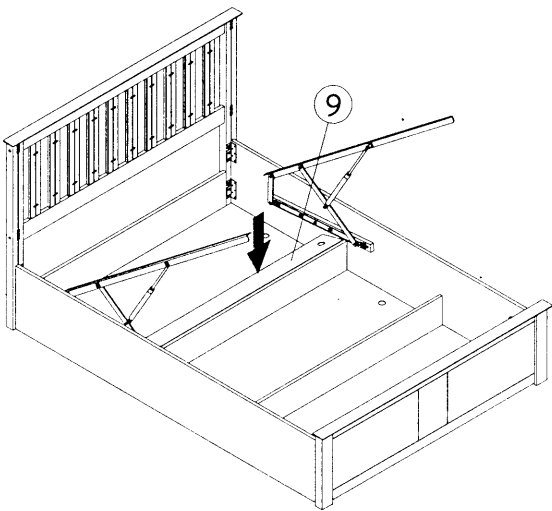
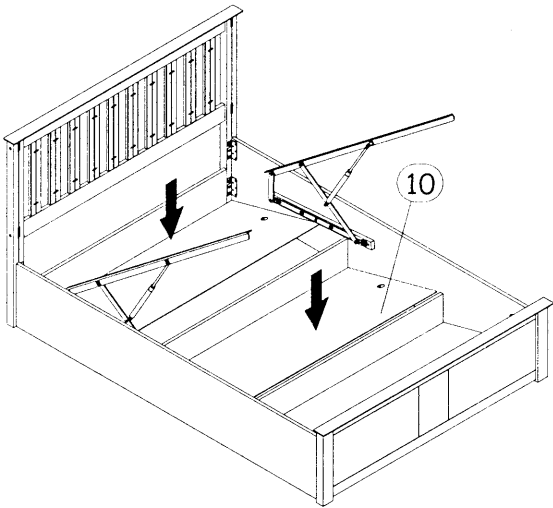
Please follow our assembly instruction procedure for easier assemble.

Step 7



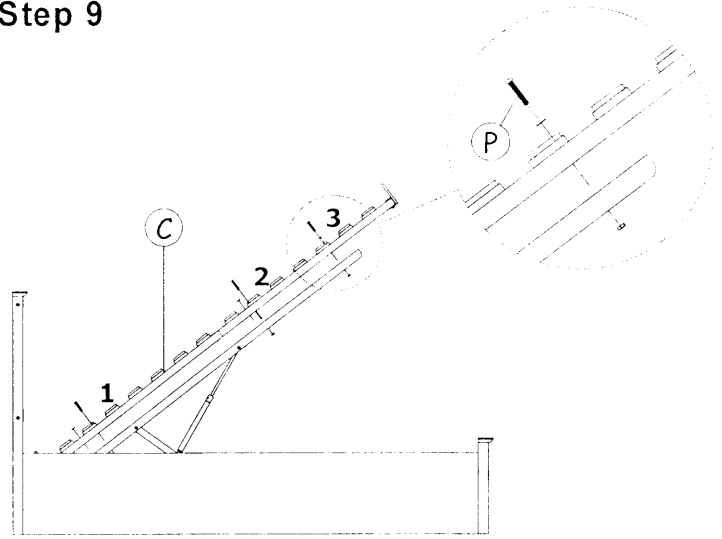
Place wood slats with plastic caps as above drawing. Then, fix it on the bed base by pressing it accordingly to the default holes. Ensure the plastic cap's pin is aimed to the hole.

Step 8



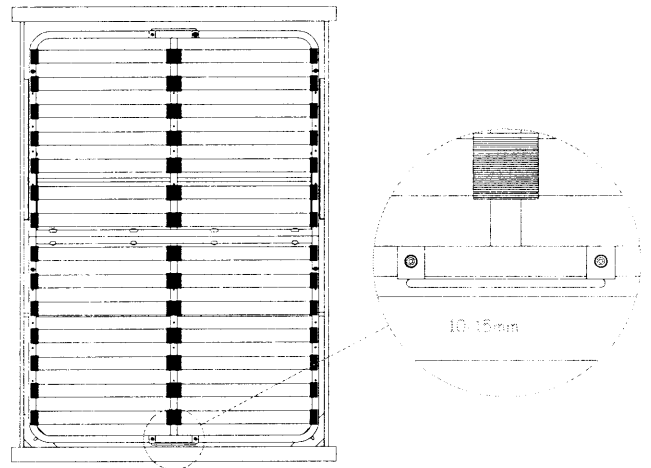
Place bottom base panels '9' & '10' as shown.

Step 9



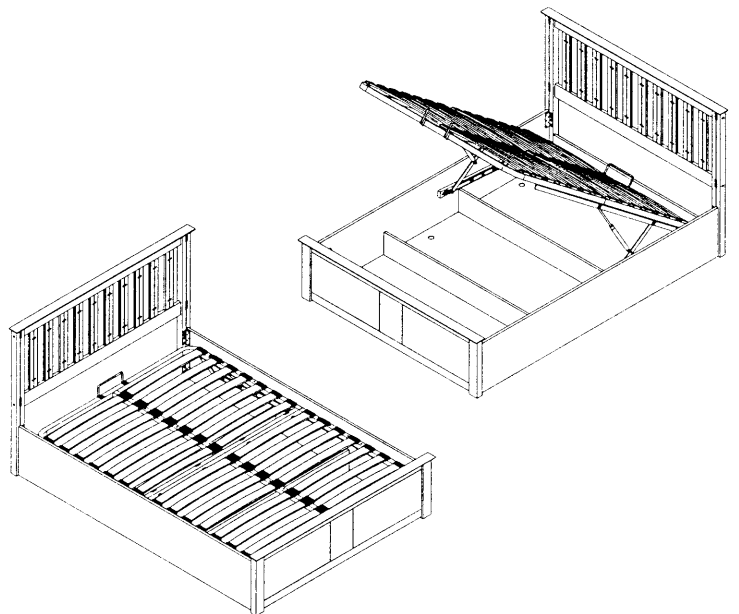
Assemble the bed base on the right & left hydraulic frame and fix bolts starting from '1' to '3' as shown.
Important note : Do not tighten the bolts yet!

Step 10



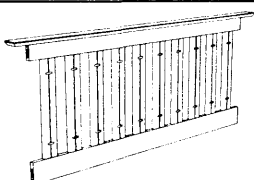


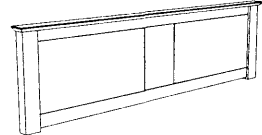
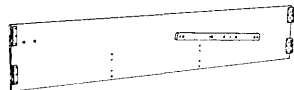
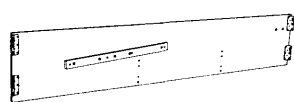
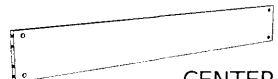


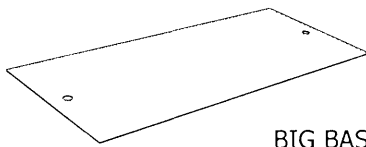
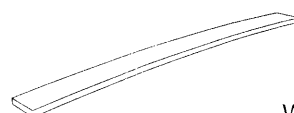
Adjust the bed base, make sure distance with the front footboard approximately 10 -15mm gap as shown.
Important note : Tighten all bolts & screws.

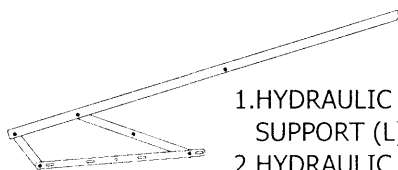
THE BED HAS BEEN FULLY ASSEMBLED


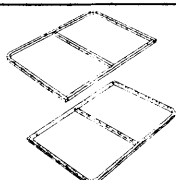




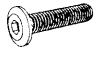




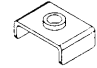
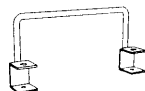

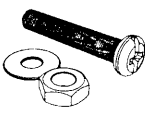

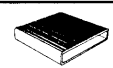


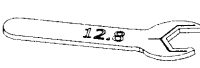



Please follow our assembly instruction procedure for easier assemble.

HARDWARE & PART LIST OTO-45-6868-WSR-BW-76"

PART LIST		
NO.	ITEM	QTY.
1	 HEADBOARD FRAME	1 PC
2	 WOOD POST (L)	1 PC
3	 WOOD POST (R)	1 PC
4	 FOOTBOARD	1 PC
5	 SIDE RAIL (L)	1 PC
6	 SIDE RAIL (R)	1 PC
7	 CENTER STORAGE PANEL	2 PCS
8	 BACK STORAGE PANEL	1 PC
9	 SMALL BASE PANEL	1 PC
10	 BIG BASE PANEL	3 PCS
11	 WOOD SLAT	28 PCS

HARDWARE LIST		
NO.	ITEM	QTY
A	 1. HYDRAULIC BASE SUPPORT (L) 2. HYDRAULIC BASE SUPPORT (R)	1 PC 1 PC

NO.	ITEM	QTY.
B	 HYDRAULIC PUMP	2 PCS
C	 1. BED BASE (B) (1 x HOLE MOUNTING) 2. BED BASE (F) (2 x HOLE MOUNTING)	1 PC 1 PC
D	 MINI FIX BOLD	12 PCS
E	 WOOD DOWEL 8 x 30	16 PCS
F	 ML-CB (METAL CORNER BLOCK)	2 PCS
G	 JCBC BOLT M6 x 80MM	4 PCS
H	 JCBC BOLT M8 x 25MM	16 PCS
I	 JCBC BOLT M8 x 15MM	8 PCS
J	 JCBC BOLT M8 x 20MM	10 PCS
K	 JCBC BOLT M8 X 75MM	4 PCS
L	 FLAT WASHER M8	4 PCS
M	 BASE NUT	4 PCS
N	 BASE HANDLE	2 PCS
O	 JCBC BOLT M6 x 40MM	4 PCS
P	 M8 x 40MM RH BOLT c/w HEX NUT, SPRING & FLAT WASHER	6 PCS
Q	 SINGLE END PLASTIC CAP	28 PCS
R	 DOUBLE SIDE END PLASTIC END	14 PCS
	 ALLEN KEY - M6	1 PC
	 ALLEN KEY - M8	1 PC
	 M12.8 SPANAR	1 PC
	 M14 SPANAR	1 PC

CAUTION : KEEP ALL HARDWARE PARTS OUT OF REACH OF CHILDREN

Please follow our assembly instruction procedure for easier assemble.